



### FEATURES

300D + 300D Oxford Polyester.

100% Polyester inside Lining.

100% polyester filling. Waterproof and Wind resistant. Comply to EN 471 standard.

3M Reflective tapes, 2 horizontal tapes on each of the sleeves.

3M Reflective tapes, 2 horizontal tapes on chest and on the waist line.

3M Retroreflective hang tag on the garment.

Heavy duty zipper with flap and button closures. Inside safe pockets with zip on the flap.

### APPLICATION

Water Proof: Impenetrable moisture barrier to guarantee dryness.

Insulated: Traps hot air from releasing and which increases the warmth.

### COLOUR, SIZE & ERP CODES



ERP Code  
**E1-04-55-04**

Size Available  
**S to 3XL**

Colour

**NAVY BLUE**



### STANDARDS

CE EN 471

**SKETCH DIAGRAM FRONT**

3cm collar rab in the middle.  
3pcs combination with 0.1+0.6cm  
slant stitch cotton inter-lining  
with twill slant stitch 2.5cm roll  
up cuff with polyester rope

shoulder seam/armhole  
and front chest with  
0.1+0.6cm slant stitch

Right chest pocket 0.1cm  
slant stitch. Left open with  
7# single closed zipper,  
seam with 0. cm slant  
stitch. Attached bellows  
pocket with 0.1cm slant  
stitch, 2.5cm bellows wall,  
2cm turn up seam. Sew  
flap into chest seam,  
middle with velcro Left  
corner attached black  
godet fabric

5# single closed zipper, two  
sides 0.6cm slant stitch. 6.8cm  
width front overlap, 5 snap hook

bottom pocket 0.1cm slant stitch,  
1cm cuff. Inner sides corner  
attached black godet combination  
fabric. Flap with 0.6cm slant  
stitch, 2 snap hook

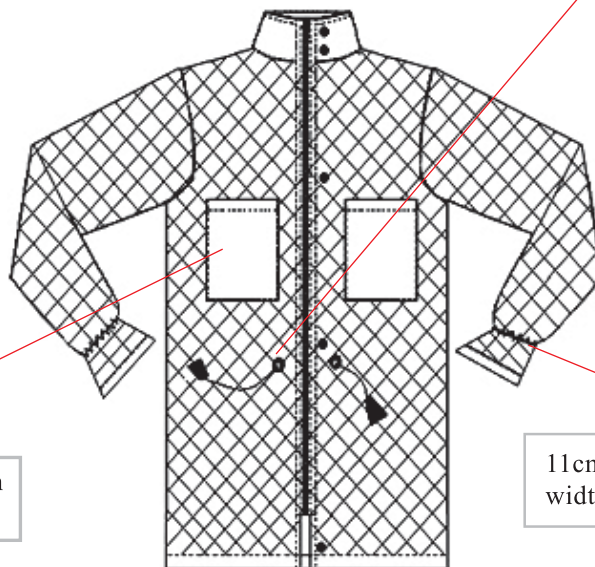
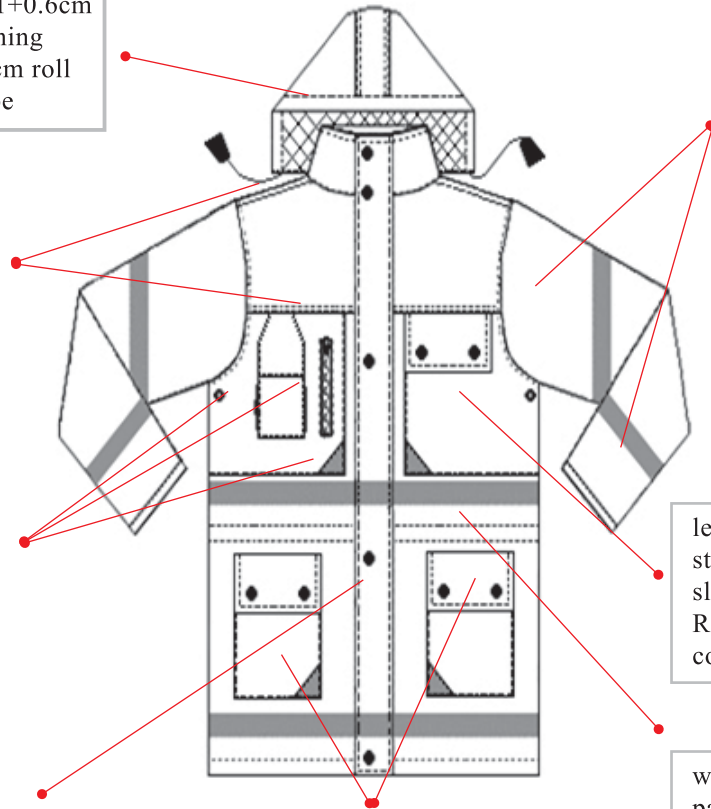
full sleeve, 1.5cm turn up  
cuff. 2 reflective tape  
across sleeve, 5cm  
width with 0.2cm slant  
stitch

left chest pocket 0.1cm slant  
stitch. Sew flap into seam 0.6cm  
slant stitch, 2 snap hook  
Right corner with black godet  
combination fabric

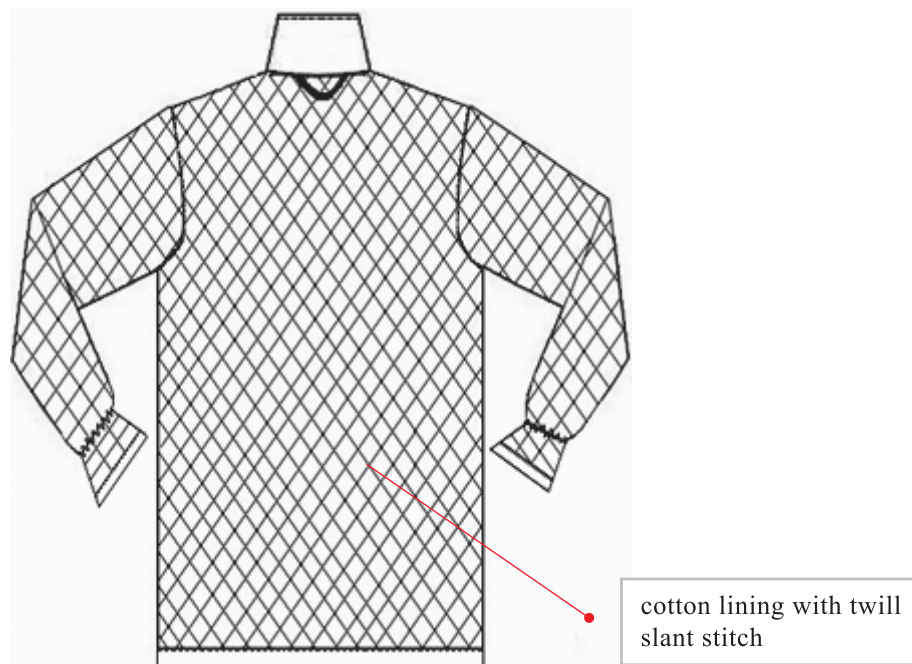
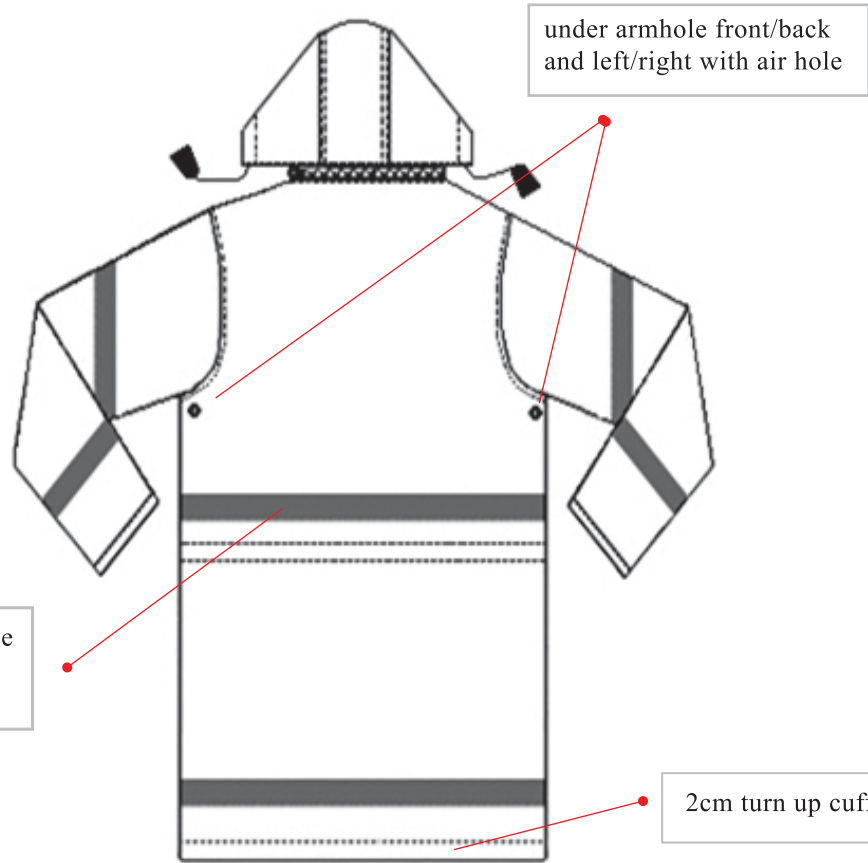
waist with 2.5cm width "="  
parallel lines, slant stitch,  
polyester rope across waist,  
two sides with plastic bell

two lining chest pocket , 0.1cm  
slant stitch, 1cm cuff

11cm to cuff stitch 0.5cm  
width elastic string



SKETCH DIAGRAM BACK



**SIZE CHART**

PART SIZE	S	M	L	XL	2XL	3XL	4XL
CENTRAL BACK LENGTH	84	86	88	90	93	95	
SLEEVE LENGTH	58	61	63	65	67	69	
1/2 CHEST	65	68	70	72	74	76	
SHOULDER	55	57	60	62	65	67	
1/2 CUFF	16	17	17	18	18	18	
COLLAR LENGTH	49	50	51	52	53	54	

**PACKAGING**

UNIT	STANDARD	PACKING PER PKT	PACKING PER CTN	ORIGIN	NET WEIGHT / CARTON (KG.)	GROSS WEIGHT /CARTON (KG.)	CARTON DIMENSION (CMS.)	CBM PER CTN
Pcs.	CE EN 471	1 Pc.	40 Pcs.	CHINA	_____	_____	_____	_____